



# Precision Flow Regulator with 3/8" Tracer<sup>®</sup> Electronic Flowmeters

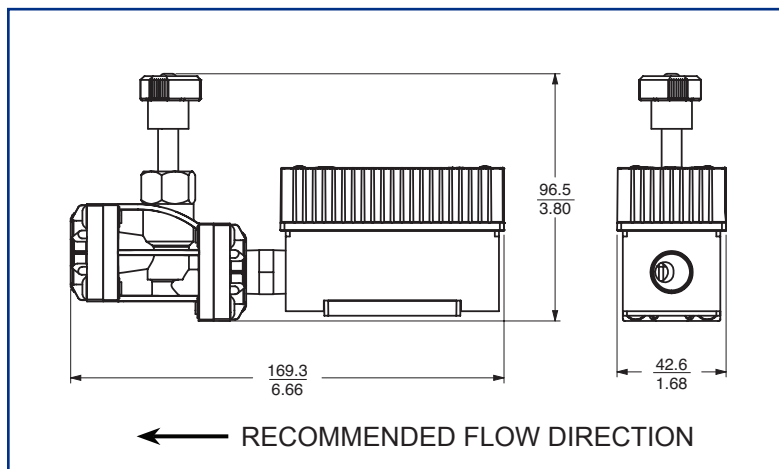
## Model Number

DD - 3B - Q		
Thread Size		Delta-Q End Cap Material
3/8"NPT(F)	3B	Q Brass
3/8"BSPP(F)	3B-B	QP Nylon

Delta-Q Flow Regulator can be used with 3/8" Tracer electronic flowmeters.

### DD- 3.6V Battery-Powered

- Flow Rate Display
- Temperature Display
- BTU's/Minute Display
- Turbulent Flow Condition (with optional glycol % input)



### Wetted Parts and Materials

Flowmeter Body	Nickel-Plated Brass
Impeller	Nylon
Impeller Shaft	Stainless Steel
Magnet	Neodymium
Back Cover	Polysulfone
Flow Regulator Body	Glass-Filled Nylon
Stem & Valve Seat	Stainless Steel
O-Ring	EPDM
End Cap	Brass or Glass-Filled Nylon

### Specifications

Flow Accuracy	±5% of full scale
Flow Repeatability	±3% of full scale
Temperature Accuracy	±2% of display
Temperature Repeatability	±1% of display
Operating Temperature	180°F max. (82°C max.)
Operating Pressure	150 psi max. (10.3 bar max.)
Power	3.6VDC Battery (included)